



Wind Cone

Compliances: FAA AC 150/5345-27: L-806 & L-807
NASAO Guidelines

WC

Applications

A wind cone visually indicates prevailing wind direction at a particular location on an airfield or heliport. FAA Size 2 wind cones are used for airports at a central position on the airfield. FAA Size 1 rigid wind cones are installed at small airfields and heliports. FAA Size 1 frangible wind cones are called “supplemental wind cones” as they are installed in addition to the main wind cone adjacent to each runway touchdown zone to indicate local wind conditions. Wind cones are commonly supplied with a single obstruction light and four floodlights to illuminate the windsock.

The customer may select lighting, windsock color, and windsock material without affecting FAA approval. Rigid wind cones use hinged poles which allow the top windsock and lighting assembly to be lowered for servicing.

• ETL Certified



Ordering Information



Basic Catalog Number:
Select from the chart below

Windsock Color:
W = White
O = Orange

Windsock Material:
N = Nylon

Options:

- RF = Reflector Floodlights on 3 ft. arms.
- S302 = Lighting powered by 6.6A series circuit.***
Includes lamps and connector kit. (Not for -RF version.)
Order 300W isolation transformer separately.
- W = Winch for lowering hinged pole (L-807 only).

Wind Cone Selection Chart

Basic Catalog Number*	FAA Approval	FAA Size**	Rigid	Frangible	Obstruction Light	Floodlights (4)	Windsock	
			Hinged Pole	Breakable Pole			Length (ft.)	Diameter (in.)
48310	L-807	2	X		X	X	12	36
48311	L-807	2	X				12	36
48312	L-807	2	X		X		12	36
48313	L-807	2	X			X	12	36
44481	L-807	1	X		X	X	8	18
44482	L-807	1	X				8	18
44483	L-807	1	X		X		8	18
44484	L-807	1	X			X	8	18
71043	L-806	1		X	X	X	8	18
71044	L-806	1		X			8	18

* An “X” on the chart denotes a feature of that catalog number wind cone. Order lamps separately.

** Size 1 = 8 ft. (2.4 m.) long windsock (WC-18) Size 2 = 12 ft. (3.7 m.) long windsock (WC-36)

*** S302 Option Wind Cone is not ETL Certified.

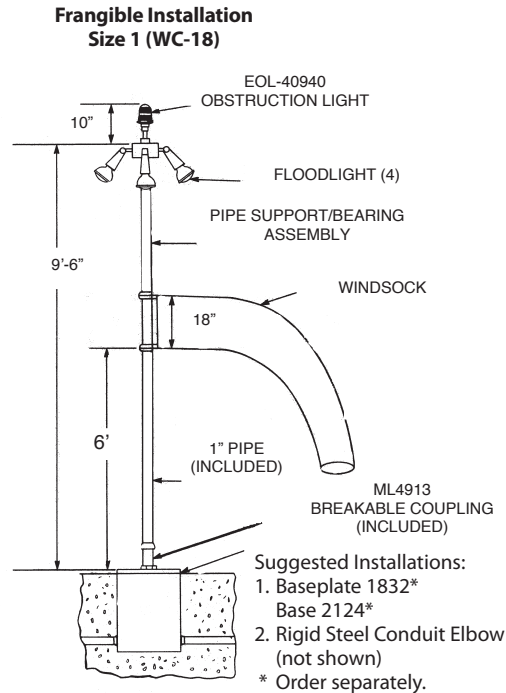
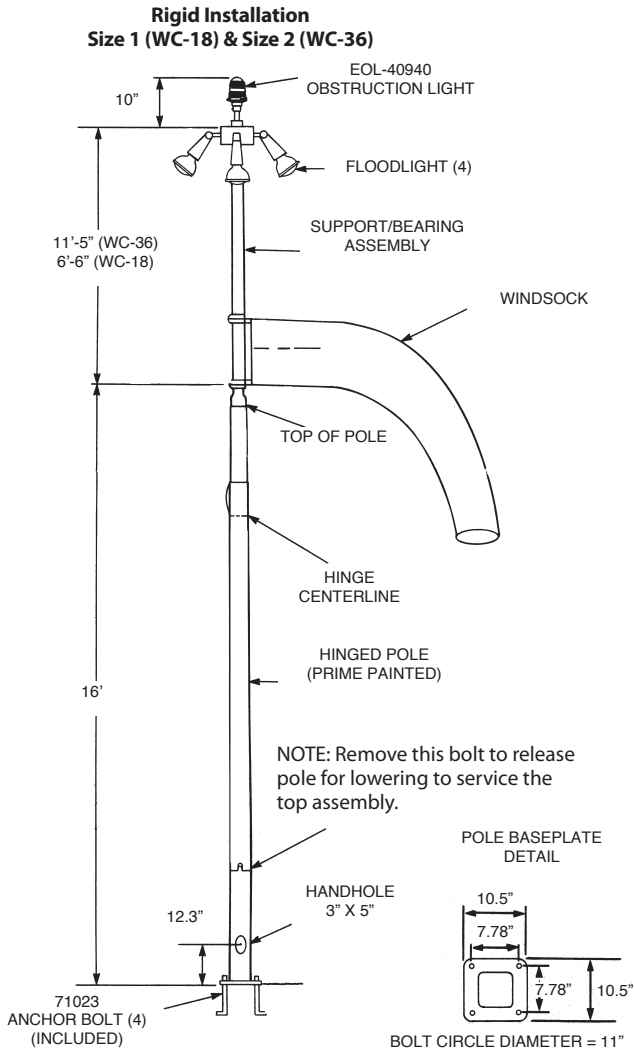
Application Notes

- The voltage may be 120 or 220-240 if the proper voltage lamps are used. All lamps have medium screw (E27) bases. Order lamps separately.
- For connection to a series circuit, order option S302 and an isolation transformer or order the standard wind cone and

a power adapter. The transformer or adapter may be directly buried or installed in an L-867 base with coverplate.

- Anchor bolts should extend 4 inches above grade.
- The Size 1 and Size 2 wind cone hinged poles are identical except for the tenon diameter.

Installation Drawings



Dimensions: Feet-Inches

Instruction Manuals:	9553 Size 2 Rigid	9554 Size 1 Rigid	8512 Size 1 Frangible
	4831X	4448X	7104X
Shipping Weight:	510 lbs. 232 kg.	450 lbs. 205 kg.	250 lbs. 114 kg.
Shipping Volume:	40 cu.ft. 1.13 cu.m.	40 cu.ft. 1.13 cu.m.	30 cu.ft. 0.85 cu.m.

Renewal Parts

Part Number	Description	Part Number	Description
10047-1577	Lamp 116W, 120V	KL8096A	Floodlight (4) Assembly (-RF option)
10047-2145	Lamp 116W, 220-240V	0501413-4	Reflector (-RF option)
10047-2882	Lamp 250W, 120V, PAR-38	40940	EOL Obstruction Light
150/CL	Lamp 150W, 120V (-RF option)	50026	Red Globe
10047-2167	Lamp 45W, 6.6A, PAR-38 (-S302 option)	71023	Anchor Bolt 0.75" x 28" (5" Threaded)
10047-2942	Lamp 150W, PAR-38, 220/230V	HSSLDW	Winch
FAA Size 1 (WC-18) Only			
71073-ON	Windsock - Orange Nylon 8 ft.	FAA Size 2 (WC-36) Only	
71073-WN	Windsock - White Nylon 8 ft.	71045-ON	Windsock - Orange Nylon 12 ft.
71048-18	Hinged Pole (Rigid)	71045-WN	Windsock - White Nylon 12 ft.
ML364B	Support/Bearing Assembly (Rigid)	71048-36	Hinged Pole
0600696	Pipe Support/Bearing Assembly (Frangible)	KL7897	Support/Bearing Assembly
0504611-1	Bearing (Rigid)	KL8097A	Bearing
FL579	Slipfitter (Rigid)	FL623	Slipfitter 3" Diameter
ML4913	Breakable Coupling (Frangible)	44621A	Complete 48310 less Hinged Pole
44036	Complete 44481 less Hinged Pole	71046-BN	Bicolor Red & White Wind Sock
44478	Complete 44482 less Hinged Pole	(Size 2 only)	
44479	Complete 44483 less Hinged Pole		
44480	Complete 44484 less Hinged Pole		
10047-2215	Lampholder PAR 38		

