



# Taxiway Edge Light-LED



**Compliances:** FAA AC 150/5345-46: L-861 Series  
ICAO Annex 14

## Applications

The TEL Model 5 is used as a medium intensity, taxiway edge light, for constant current circuits.

## Features



- ETL Certified
- Blue glass globe for day light recognition
- Durable high impact sealing boot
- Single piece die-cast aluminum body
- Adjustable height
- Breakable coupling for stake, baseplate, or junction box mounting
- Constant current operation
- Available standard with 1.5 inch or optional 2 inch frangible coupling
- Long life LED
- Internally mounted, sealed, electronic power supply
- Direct replacement on existing baseplate
- Less than 8 VA at the highest step
- Complies with intensity requirements for 3 - step circuit

## Ordering Information

**How to Order:** A complete assembly will consist of separate order items for the TEL fixture, stake or baseplate with base or junction box with cover, isolation transformer, and L-823 connector kit.



**Fixture Type:**  
861 = FAA L-861

**Model:**  
5 = C-H Model 5 LED Fixture

**Type:**  
T2 = Taxiway

**Beam Color:**  
B = Blue

**Input Power:**  
066 = 6.6A Constant Current

**Height (Inches):**  
14 inches Standard  
18 inches  
22 inches  
24 inches  
30 inches (Maximum)

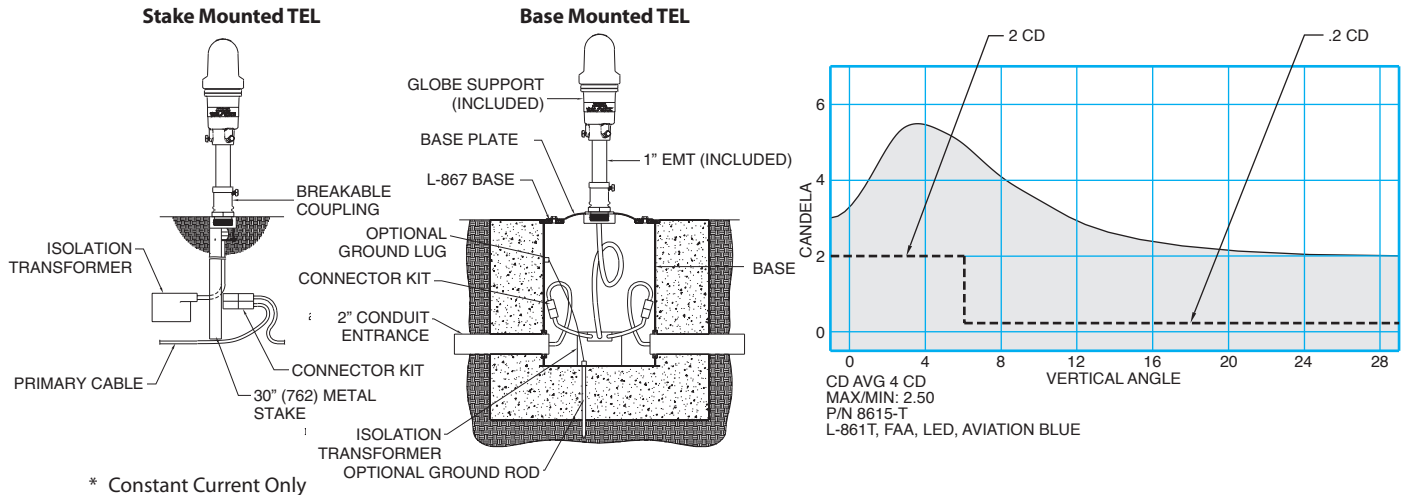
**Options:**  
1 = Arctic Kit  
2 = 2" NPS Aluminum Frangible Coupling

**Accessory - Leveling Device, Order P/N 50400**

Note: Standard fixture 6.6A@60Hz

<b>Dimensions:</b>	inches (mm)
<b>Instruction Sheets:</b>	2907 (Standard Fixture) 2908 (Fixture with Option 1)
<b>Shipping Weight:</b>	3 lbs. 1.4 kg.
<b>Shipping Volume:</b>	0.1 cu.ft. .003 cu.m.

## Installation Drawings



Note: All ERL 6.6A versions include a lead with L-823 plug.

## Accessories

Catalog Number	Description	Shipping Weight		Shipping Volume	
		lb.	kg.	cu.ft.	cu.m.
AP1932	Baseplate, 2" Hub, Painted Steel	8	3.6	.14	.004
AP1935	Baseplate, 1.5" Hub, Painted Steel	8	3.6	.14	.004
AC21242H200301	Base L-867, Class I, 24" Deep	52	23.6	2.60	.074
AW2202	Stake Assembly, 2" HUB	8	3.6	.2	.006
AW2205	Stake Assembly, 1.5" HUB	8	3.6	.2	.006
33001	Transformer L-830-1, 6.6/6.6A - 30/45w	8	3.6	.2	.006
823KP-D4-D4	Connector Kit L-823, 8 AWG, .32" to .43" O.D.*				

\* There will be no shipping info with this item

## Renewal Parts

Part Number	Description	Part Number	Description
40878-13P	1" EMT Extension (14")	50388	Sealing Boot
40878-14P	1" EMT Extension (18")	10035-63-230	O-Ring Seal
40878-15P	1" EMT Extension (24")	50430	Heatsink Assembly with LED (Lens, LED, Heatsink)
40878-16P	1" EMT Extension (30")	50527	Globe/Heatsink Assembly with LED & Arctic Kit (Lens, LED, Heatsink, Globe with Heater)
50380	Blue Globe - Glass*	50392	LED Power Supply
50390	Globe Support Assembly	50398-2	Lead Assembly 14 inch
50186	Frangible Coupling - Aluminum 1.5 Inch	50398-3	Lead Assembly 20 inch
50184	Frangible Coupling - Aluminum 2 Inch	50398-4	Lead Assembly 26 inch
10037-883	S.S. T-Band	50396	Thermal Tape for Housing/Heatsink

\* Non Arctic Kit model only

