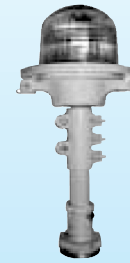


TEL-5

Medium Intensity Runway Threshold/End Light



TEL-5

Compliances: FAA AC 150/5345-46B: L-861SE

Applications

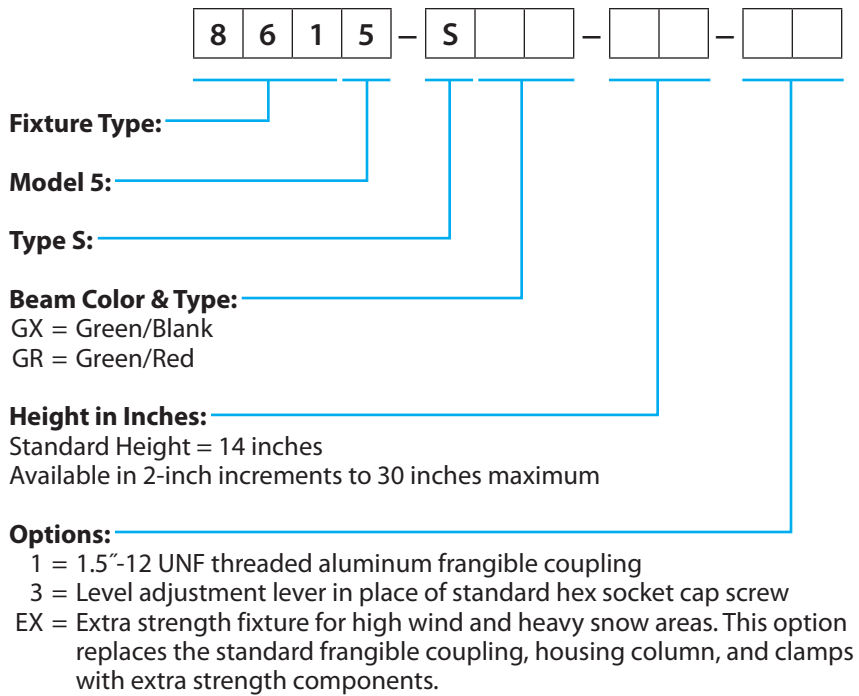
The TEL-5 is intended to enhance the visibility of thresholds on medium intensity runways that do not have approach lighting.

Features

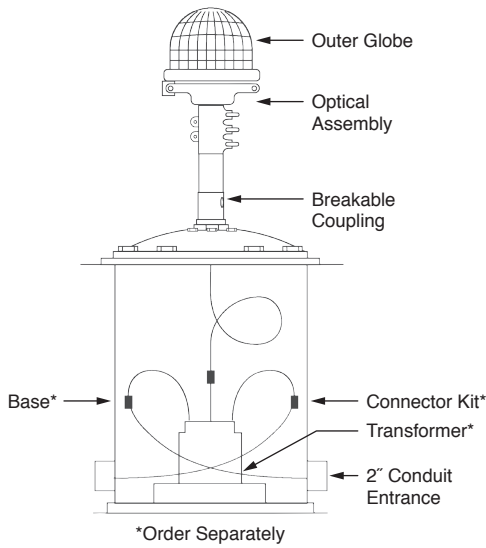


- ETL Certified
- L861SE Fixture with 120W lamp
- Requires no tools to relamp - fixture hinges open for lamp access and ease, and is held shut by a spring clip
- Easy to level - unique swivel design allows fixture to be leveled by loosening and tightening one exterior fastener
- Easy to change filters - twist in place
- 300 MPH wind tested
- Modular design
- Utilizes 6.6 amp quartz bi-pin lamp
- Die-cast aluminum housing, painted yellow
- Available in heights 14 inches to 30 inches
- Standard 2" Threaded Frangible Coupling

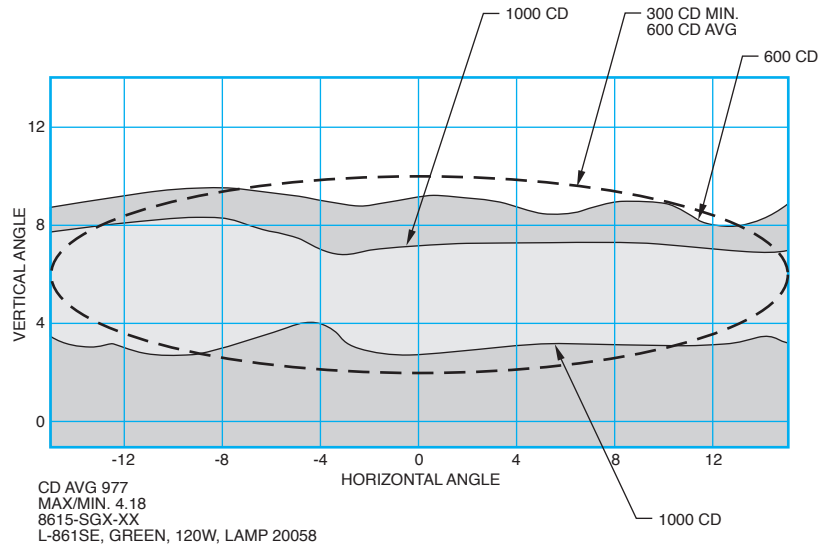
Ordering Information



Outline Drawing



Typical Photometric Data



Accessories

Catalog Number	Item Description	Shipping Weight		Shipping Volume	
		lb.	kg.	cu.ft.	cu.m.
AP1932	Baseplate, 2" Hub, Painted Steel	8	3.6	0.14	.004
AP1935	Baseplate, 1.5" Hub, Painted Steel	8	3.6	0.14	.004
AC21242H200301	Base L-867, Class I, 24" Deep	52	23.6	2.6	.074
823KP-D4-D4	Connector Kit L-823, 8 AWG Stranded, .32" to .43" O.D.				
50359	Leveling Fixture				
33004	Transformer, 100 W, 6.6/6.6A	8.6	3.9	0.3	.009

Renewal Parts

Part Number	Description
50376-C	Clear Outer Globe
50360-G	Green Inner Filter
50360-R	Red Inner Filter
50376-C/X	Clear/Blank Outer Globe
40989	Globe Gasket
50351	Filter Gasket
50366	Filter Spring
20058	Lamp, 120W, 6.6A, Bi-Pin
50184	Frangible Coupling 2" Aluminum
60683-E	Frangible Coupling 2" Aluminum—EX Option

Instruction Sheet:	2121 (standard fixtures) 2325 (-EX fixtures)
Shipping Weight:	4.5 lbs. 2.0 kg.
Shipping Volume:	0.31 cu. ft. .009 cu. m.

