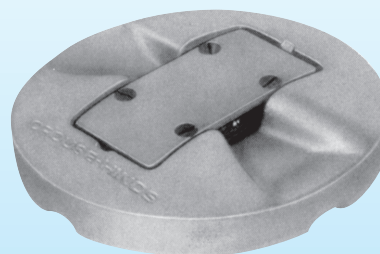


# RCLN

## Runway Centerline Light – Navy



**RCLN**

**Compliances:** U.S. Navy NAVAIR 51-50AAA-2

### Applications

The RCLN has been designed to meet the harsh environment of military runway centerline lighting where tail hooks may be present. These lights come with an extra-strength stainless steel base and thick top optical assembly. The optical assembly houses the lamp, filters and lenses required to form the proper light beam. Lights are available in four types for various installation requirements.

### Features

- Removeable optical high-strength ductile iron cartridge
- Variety of mounting choices.
- Hardened stainless steel base for tail hook resistance.
- Zinc plating on stainless steel base for maximum corrosion resistance.
- Meets U.S. Navy requirements.
- Optional metallic-ceramic coating for increased corrosion resistance.

### Ordering Information

**How to order:** Select the basic catalog number. Add suffixes for filter, lamp type and options (if any).

**Example:** 18749-RC is a bidirectional L-852N Type 5 light with red filter on one side and with the other side clear. The lamp with film disc cutout is furnished with this light.



#### Fixture Type:

- 18749 Type 5
- 20324 Type 6
- 20381 Type 7
- 20382 Type 8

#### Filter Code:

- C = Clear
- R = Red

#### Options:

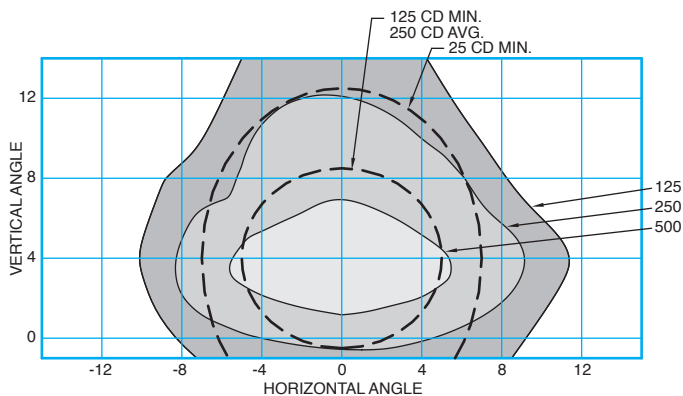
- 65 = 65 W Lamp (45 W standard)
- CR = Corrosion Resistant Coating (Optical Assembly only)
- NF = Lamp Without Film Disc Cutout

### Accessories

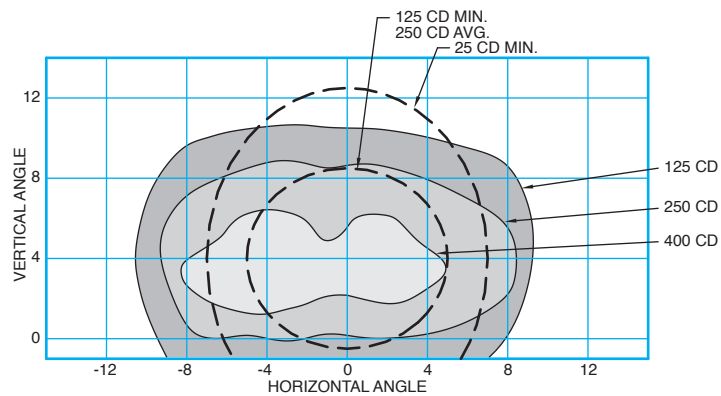
Description	Catalog Number	Specification	Shipping Weight		Shipping Volume	
			Lbs.	Kg	Cu.Ft.	Cu.M.
Transformer, 30/45 W, 6.6/6.6 A	33001-2	MS27289-1	8.0	3.6	0.2	0.006
Transformer, 30/45 W, 6.6/6.6 A	33001	FAA L-830-1	8.0	3.6	0.2	0.006
Transformer, 65 W, 6.6/6.6 A	33003	FAA L-830-3	9.0	4.0	0.1	0.006
Connector Kit – Refer to data sheet ET-8.1						
Type 7 Base, Size A, 10" diameter L-868	AC15242H200003**		43.0	20.0	2.1	0.06
Spacer Ring, 3/4" thick (10")	AF5102-12		6.0	2.7	0.043	0.001
Type 8 Base, Size B, 12" diameter L-868	AC24242H200003**		63.0	29.0	2.5	0.10
Spacer Ring, 3/4" thick (12")	AF5402-12		7.25	3.3	0.06	0.002

\*\* Other bases, such as sectional type, may be required, depending on method of installation.

## Typical Photometric Data



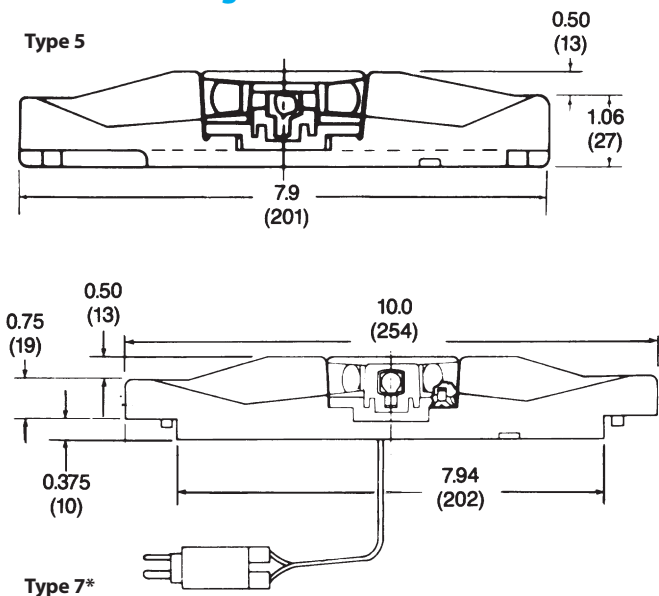
RCLN - Clear Filter / CD AVG: 538 / MAX/AVG: 1.46



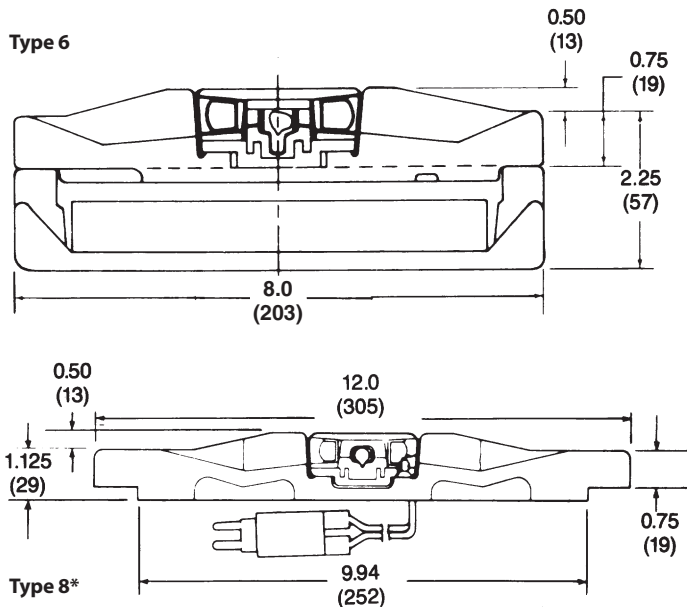
RCLN - Red Filter / CD AVG: 394 / MAX/AVG: 2.34

<b>Dimensions:</b>	inches (mm)
<b>Instruction Manual:</b>	8005
<b>Shipping Weight:</b>	12.0 lbs. 5.44 kg
<b>Shipping Volume:</b>	.3 cu.ft. .01 cu.m.

## Outline Drawings



\* For FAA shallow or deep base mounting.



## Renewal Parts

Part Number	Description	Part Number	Description
19899	Housing/Lens Assembly	85203-5-F	Optical Base/Lamp Assembly
19241	Gasket	18448	Sleeve - Waterproofing
19848	Screw - High-Strength Mounting Blk. Oxide	19694	Socket Assembly
19463	Filter Spring	19695	O-Ring - Optical Assembly
20654-R	Filter, Red	19313-3	Lead Assembly
19900-xx	Optical Assembly (Add Colors)	20936-**	Lamp assembly (45 W)
		19484-**	Lamp assembly (65 W)

\*\* Insert "F" for lamp with film disc cutout (standard) or "NF" for lamp without film disc cutout (optional).

