

# PRO III™ RCLI/TDZI



## Runway Centerline Light, Touchdown Zone Light or Rapid Exit Taxiway Indicator Light – ICAO



**RCLI/TDZI**

**Compliances:** ICAO Annex 14: Fig. A2-5, A2-6 and A2-7  
Transport Canada Specification K 271: Fig B5 and B8

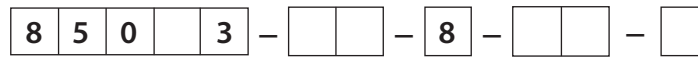
### Applications

The RCLI/TDZI light does triple duty as a runway centerline light, a touchdown zone light, or as a rapid exit taxiway indicator light. The RCLI is a bidirectional light, typically clear/clear or clear/red, with two 48 W lamps. The TDZI is a clear unidirectional light, with a 48 W lamp. RCLI /TDZI may be used for any category ICAO, or military runway.

### Features

- ETL Tested and Verified
- Low Profile, < .25" (6mm) – FAA Style 3
- Low Power Consumption
- Few Parts to Stock
- Beam Orientation can be easily changed to left or right toe-in
- Easy to maintain – no sealant required for prism or feed-through assembly replacement
- Pressure test plug for seal integrity verification
- Long Lamp Life – Quartz Halogen, 48 W
- High-strength forged aluminum
- Standard sealing gasket

### Ordering Information



#### Fixture Type:

- A = Runway centerline light or Rapid Exit Taxiway Light
- B = Touchdown zone light

#### Color:

- CC = Clear/Clear (850A3)
- CR = Clear/Red (850A3)
- YX = Yellow/Blank (850A3)\*
- C = Clear (850B3)
- CX = Clear/Blank (850B3)\*
- GG = Green/Green (850A3)
- GX = Green/Blank(850A3)\*

#### 8-Inch Diameter ICAO Fixture:

#### L-823 Plug Connection:

- P1 = One plug
- P2 = Two plugs (850A3 only)

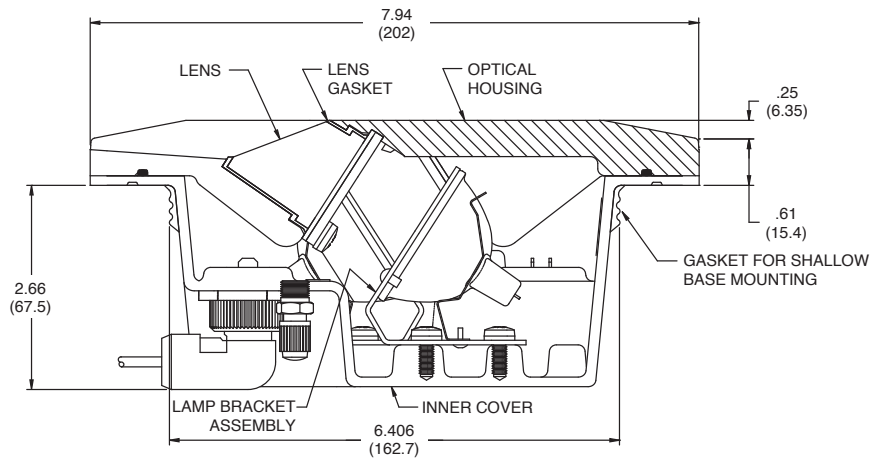
#### Beam Orientation (850B3 only):

- L = Left Toe-in
- R = Right Toe-in
- S = Straight

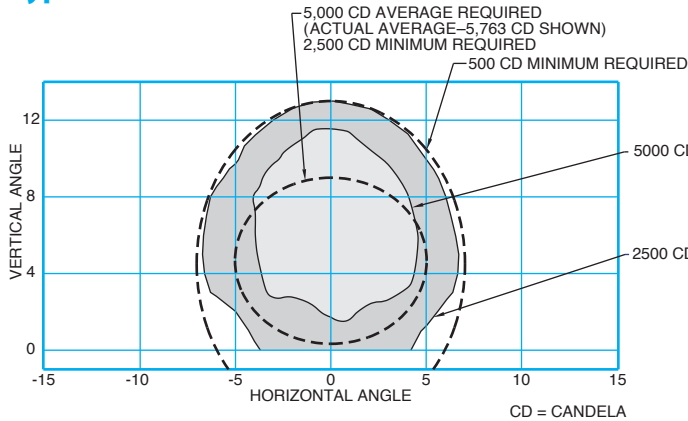
\* Blank color units will have a threaded plug installed (blank is not considered a color).

## Outline Drawing

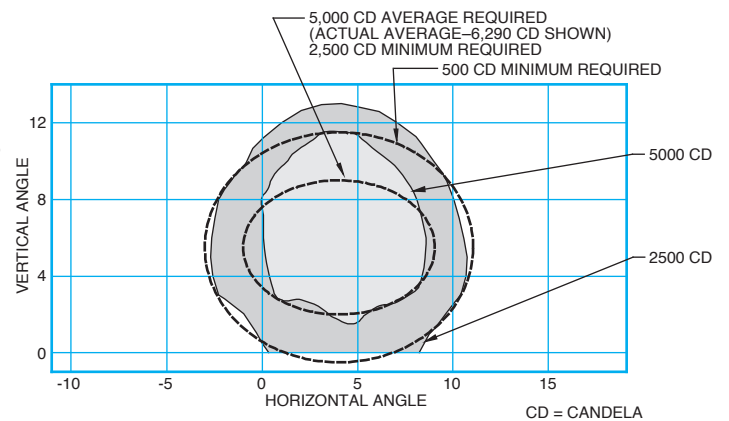
<b>Dimensions:</b>	inches (mm)
<b>Instruction Manual:</b>	2003
<b>Shipping Weight:</b>	5.0 lbs 2.3 kg
<b>Shipping Volume:</b>	0.7 cu ft 0.02 m <sup>3</sup>



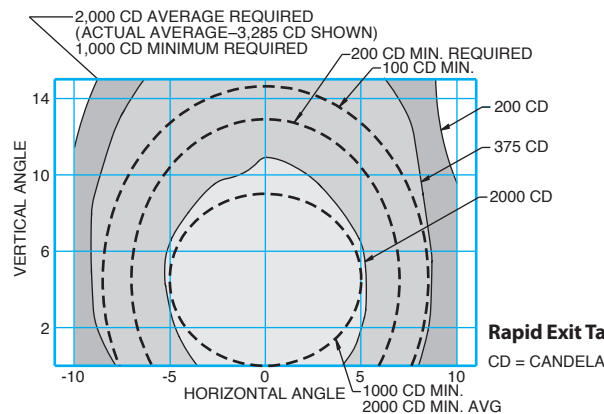
## Typical Photometric Data



Runway Centerline Light (Fig. 2.7)



Touchdown Zone Light (Fig. 2.5)



Rapid Exit Taxiway Indicator Light (Fig. 2.7)

## Accessories

Catalog Number	Item Description	Catalog Number	Item Description
21388-1	Shallow Base – One Connector	823KP-D4-D4	Connector Kit – L-823, 8 AWG, .32" to .43" O.D.
21388-2	Shallow Base – Two Connectors	10047-2154	Heat Shrink Kit – 1 Piece
33001	Isolation Transformer – 45 W, 6.6/6.6 A	10047-1425	Heat Shrink Kit – 2 Piece
33004	Isolation Transformer – 100 W, 6.6/6.6 A		
33005	Isolation Transformer – 100 W, 20/6.6 A		

## Renewal Parts

Part Number	Description	Part Number	Description
21116	Lamp – 48 W, 6.6 A	21121	Feed-through Assembly – 2 Lamp, 1 Connector
21126-C	Lens Replacement Kit – Clear	21122	Feed-through Assembly – 1 Lamp, 1 Connector
21126-R	Lens Replacement Kit – Red	10048-25	Gasket Lubricant – 5.3 oz Container
21126-Y	Lens Replacement Kit – Yellow	10035-62	O-Ring – Bottom Cover
21126-G	Lens Replacement Kit – Green	21180	Gasket – Shallow Base

### Note:

1. Lens Replacement Kit includes lens, lens boot, lens retaining gasket, gasket lubricant, and lens retaining bracket and screws.

