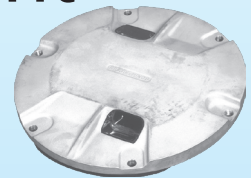


PRO III™ RCLI/TDZI



Runway Centerline Light or Touchdown Zone Light or Rapid Exit Taxiway Indicator Light

Compliances: ICAO Annex 14: Fig. 2.5, Fig. 2.6 and 2.7



RCLI / TDZI 12"
1 Piece 12" Fixture

Applications

The RCLI/TDZI light is a multi-use fixture for use as a runway centerline, touchdown zone and rapid exit taxiway light. The RCLI is a unidirectional and bidirectional light; typically clear/clear or clear/red, with two 48W lamps. When used as a rapid exit taxiway light it uses one 48W lamp in a yellow/blank configuration. The TDZI is a clear unidirectional light, with one 48W lamp. The RCLI/TDZI may be used on any ICAO airfield.

Features

- Low Profile, < .25" (6mm) – FAA Style 3
- High-strength aluminum optical assembly
- Low Power Consumption
- Few Parts to Stock
- Beam Orientation can be easily changed to left or right toe-in
- Easy to maintain – no sealant required for prism or feed-through assembly replacement
- Pressure test plug for seal integrity verification
- Long Lamp Life – Quartz Halogen, 48 W

Ordering Information

8	5	0	3	1	-			-			-	
---	---	---	---	---	---	--	--	---	--	--	---	--

Fixture Type:

- A = Runway centerline light or Rapid Exit Taxiway Light*
- B = Touchdown zone light

Color Filters:

- CC = Clear/Clear (Fig. 2.7)
- CR = Clear/Red (Fig. 2.7)
- RX = Red/Blank (Fig. 2.7)
- C = Clear (Fig. 2.5)
- CX = Clear/Blank (Fig. 2.7)
- YX = Yellow/Blank (Fig. 2.7)*

L-823 Plug Connection:

- P1 = One plug
- P2 = Two plugs (Fig. 2.7. Two color units only. Note: For this feature only, blank is not considered a color.)

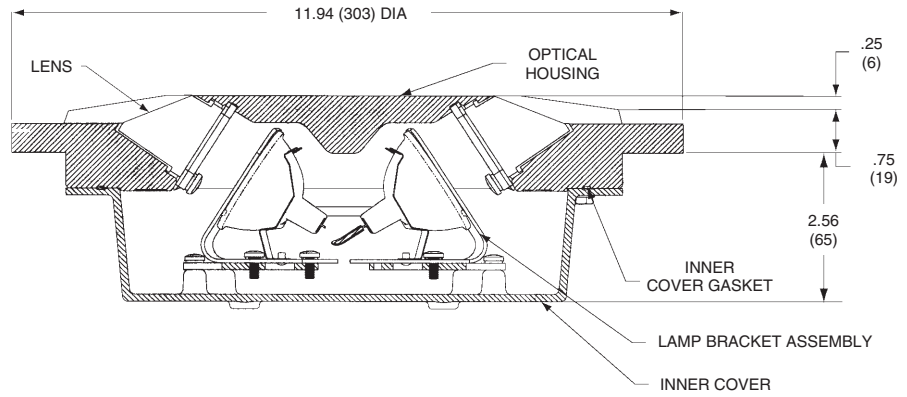
Beam Orientation (Fig. 2.5 only):

- L = Left Toe-in
- R = Right Toe-in
- S = Straight

*Note: Rapid Exit Taxiway Light is YX configuration only.

Outline Drawings

Dimensions:	inches (mm)
Instruction Manual:	2404
Shipping Weight:	16.0 lbs 7.3 kg
Shipping Volume:	0.7 cu ft 0.02 m ³



Typical Photometric Data

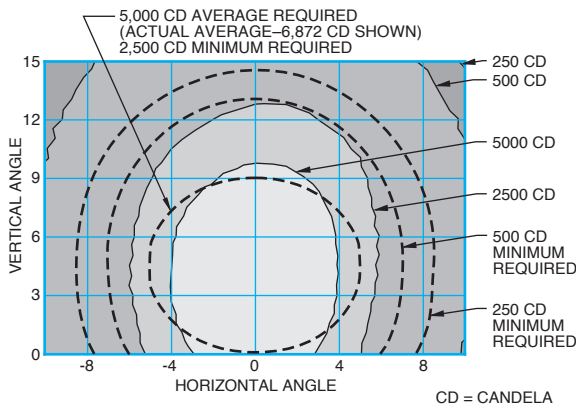


Fig. 2.7 – Runway Centerline Light, Clear

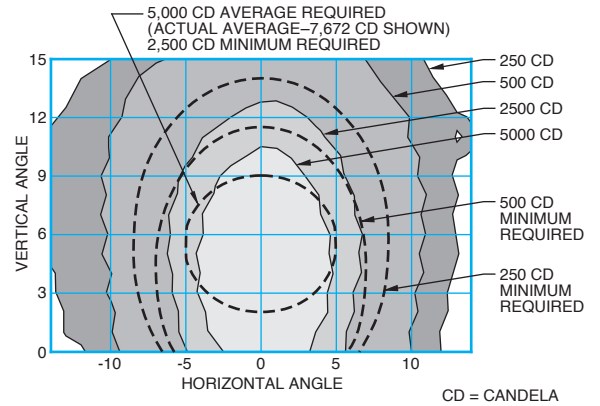


Fig. 2.5 – Touchdown Zone Light

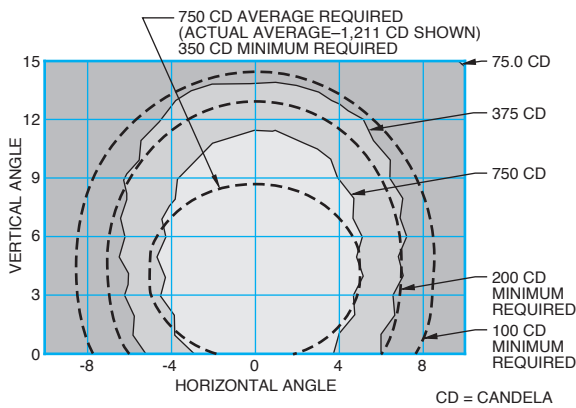


Fig. 2.7 – Runway Centerline Light, Red

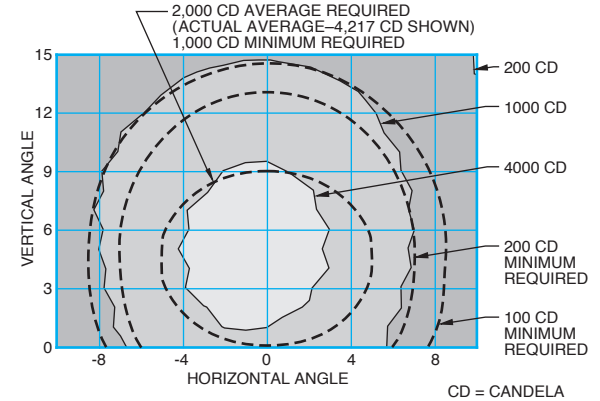


Fig. 2.7 – Rapid Exit Taxiway Indicator Light, Yellow

Accessories

Catalog Number	Item Description	Catalog Number	Item Description
AC24242H200303	Base: L-868B, Class I, 24" Deep	823KP-D4-D4	Connector Kit – L-823, 8 AWG, .32" to .43" O.D.
33001	Isolation Transformer – 45 W, 6.6/6.6 A	10047-2154	Heat Shrink Kit – 1 Piece
33004	Isolation Transformer – 100 W, 6.6/6.6 A	10047-1425	Heat Shrink Kit – 2 Piece
33005	Isolation Transformer – 100 W, 20/6.6 A		

Renewal Parts

Part Number	Description	Part Number	Description
21116	Lamp – 48 W, 6.6 A	21121	Feed-through Assembly – 2 Lamp, 1 Connector
21126-C	Lens Replacement Kit – Clear	21122	Feed-through Assembly – 1 Lamp, 1 Connector
21126-R	Lens Replacement Kit – Red	10048-25	Gasket Lubricant – 5.3 oz Container
21140	Gasket – Bottom Cover		

Note:

1. Lens Replacement Kit includes lens, lens boot, lens retaining gasket, gasket lubricant, and lens retaining bracket and screws.

