



Inset Runway Threshold Light



IRTL

Compliances: FAA AC 150/5345-46: L-850E

Applications

The IRTL is a medium intensity unidirectional light (using two 62 W lamps). This fixture is used on runways where the threshold lighting is co-located and where it is impractical to use an elevated light.

Features



- ETL Certified
- Low profile, < .5" (12mm) – FAA Style 2
- Low power consumption
- Few parts to stock
- Easy to maintain – no sealant required for prism replacement
- Pressure test plug for seal integrity verification
- Long lamp life – Quartz Halogen, 62 W, 6.6 A
- High-strength forged aluminum

Ordering Information

8 5 0 E 6 – G

Fixture Type:

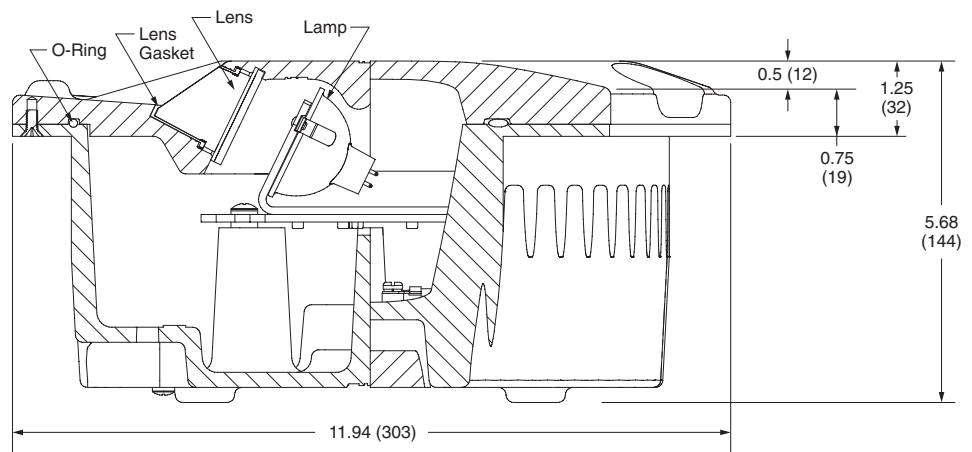
Color:

G = Green (Straight beam)*

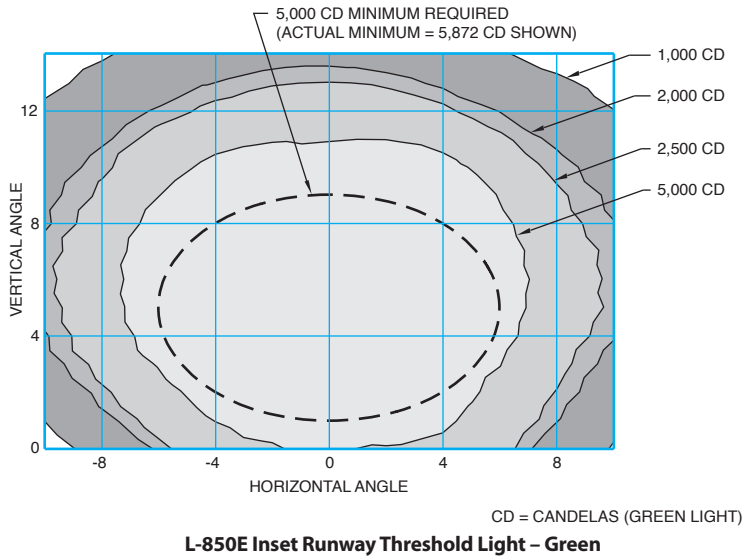
* For fixtures which require toe-in or other color, please consult factory.

Outline Drawing

Dimensions:	inches (mm)
Instruction Manual:	2810
Shipping Weight:	17.0 lbs. 7.7 kg
Shipping Volume:	0.6 cu. ft. 0.04 m ³



Typical Photometric Data



Accessories

Catalog Number	Item Description	Catalog Number	Item Description
AC24242Q200303	Base: L-868B, Class I, 24" Deep	823KP-D4-D4	Connector Kit - L-823, 8 AWG, .32" to .43" O.D.
33004	Isolation Transformer - 100 W, 6.6/6.6 A	10047-2154	Heat Shrink Kit - 1 Piece
33005	Isolation Transformer - 100 W, 20/6.6 A	10047-1425	Heat Shrink Kit - 2 Piece
33006	Isolation Transformer - 200 W, 6.6/6.6 A	21151	Adapter Ring - 15" L-868D Base (11.25" bolt circle to 14.25" bolt circle)
33007	Isolation Transformer - 200 W, 20/6.6 A		
19999	Lifting Tool		

Renewal Parts

Part Number	Description	Part Number	Description
21169	Lamp - 62 W, 6.6 A	10035-33-273	O-Ring - Bottom Cover
21480-G	Lens Replacement Kit - Green		

Note:

1. Lens Replacement Kit includes lens, lens boot, lens retaining gasket, gasket lubricant, and lens retaining bracket and screws.

