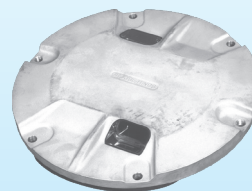


PRO III™ FTCLI

Taxiway Centerline Light - ICAO

Compliances: ICAO Annex 14: Fig. A2-12 through A2-16

FTCLI

Applications

The FTCLI is a taxiway centerline light that is used primarily as a ground traffic aid during periods of low visibility to guide aircraft between the runway and the parking stand. The FTCLI is often a bidirectional light (using two MR-16 lamps), it may also be a unidirectional light (using one MR-16 lamp).

Features

- Low profile, < .25" (6 mm) – above grade
- High-strength forged aluminum
- Low power consumption
- Few parts to stock
- Easy to maintain – no sealant required for prism or feed-through assembly replacement
- Pressure test plug for seal integrity verification
- Long life Quartz Halogen lamp

Ordering Information



Fixture Type:

- C2 = Curved Sections, CAT II, Fig. 2.16
- C3 = Curved Sections, CAT III, Fig. 2.14
- N3 = Narrow Beam, CAT III, Fig. 2.13
- W2 = Wide Beam, CAT II, Fig. 2.15
- W3 = Wide Beam, CAT III, Fig. 2.12

Color Filters*:

- XG = Blank/Green
- GX = Green/Blank
- XY = Blank/Yellow
- YX = Yellow/Blank
- GG = Green/Green
- YY = Yellow/Yellow
- GY = Green/Yellow
- YG = Yellow/Green
- XR = Blank/Red
- RX = Red/Blank

L-823 Plug Connection:

- P1 = One plug (Blank color units will have a threaded cap installed.)
- P2 = Two plugs (Two color units only. Note: For this feature only, blank is not considered a color.)

Option:

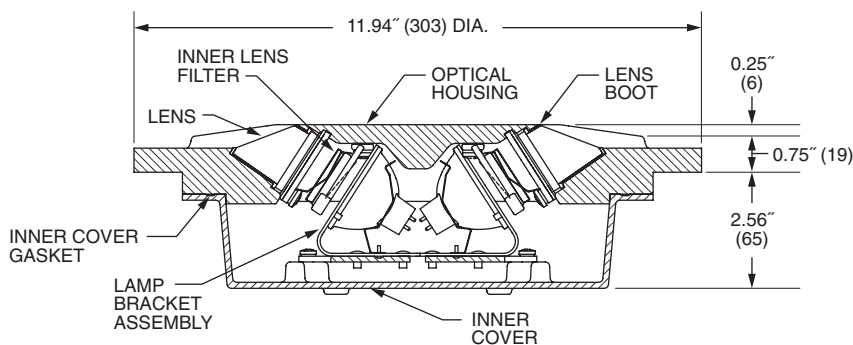
- 1 = 48 watt lamp

* For fixture types C2 & C3, refer to color designation: The first color is left toe-in; second color is right toe-in.

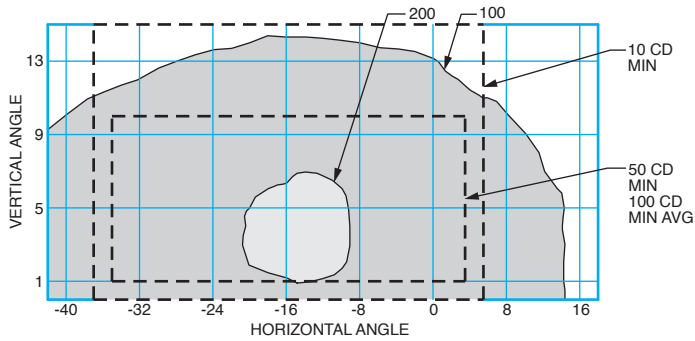
Fixture Type	Color	Lamp Wattage
C2, W2	G,Y,R	32W
W3, N3	G,Y	32W
N3	R	62W
C3	G,Y	32W
C3, W3	R	105W

Dimensions:	inches (mm)
Shipping Weight:	16.0 lbs. 7.3 kg
Instruction Manual:	2108
Shipping Volume:	0.7 cu. ft. 0.02 m ³

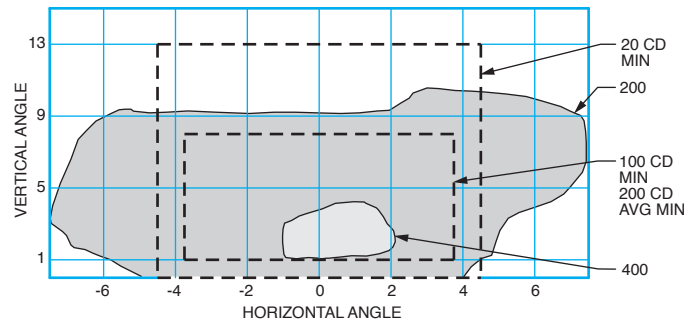
Outline Drawing



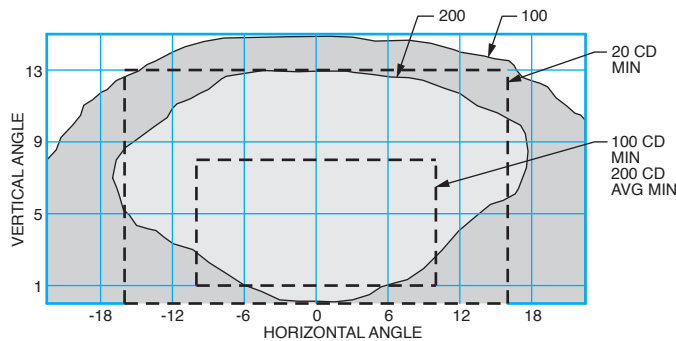
Typical Photometric Data



ICAO Fig. 2.14, Curved Sections, CAT III / CD Avg: 165 / Max/Min: 2.5



ICAO Fig. 2.13, Narrow Beam, CAT III / CDAvg: 353 / Max/Min: 1.7



ICAO Figure 2.12, Wide Beam, CAT III / CD Avg: 245 / Max/Min: 1.7

Accessories

Catalog Number	Item Description	Catalog Number	Item Description
AC24242H200303	Base: L-868B, Class I*, 24" Deep	823KP-D4-D4	Connector Kit – L-823, 8 AWG, .32" to .43" O.D.
33001	Isolation Transformer – 30/45 W, 6.6/6.6 A	10047-2154	Heat Shrink Kit – 1 Piece
33002	Isolation Transformer – 30/45 W, 20/6.6 A	10047-1425	Heat Shrink Kit – 2 Piece
33003	Isolation Transformer – 65 W, 6.6/6.6 A	19999	Lifting Tool
33004	Isolation Transformer - 100 W, 6.6/6.6A		
33005	Isolation Transformer - 100 W, 20/6.6A		

* Sectional bases may be required depending upon the paving technique

Renewal Parts

Part Number	Description	Part Number	Description
21127	Lamp – 32 W, 6.6 A	21121	Feed-through Assembly – 2 Lamp, 1 Connector
21116	Lamp – 48 W, 6.6 A	21122	Feed-through Assembly – 1 Lamp, 1 Connector
21169	Lamp - 62 W, 6.6 A	21179-G	Fresnel - Green
21128	Lamp - 105 W, 6.6 A	21179-Y	Fresnel - Yellow
21126-C	Lens Replacement Kit - Clear	21179-R	Fresnel - Red
21140	Gasket - Bottom Cover	21228-G	Fresnel with baffle - Green (N3)
10048-25	Gasket Lubricant - 5.3 oz. container	21228-Y	Fresnel with baffle - Yellow (N3)
		21228-R	Fresnel with baffle - Red (N3)

Note:

1. Lens Replacement Kit includes lens, lens boot, lens retaining gasket, gasket lubricant, and lens retaining bracket and screws.

