



Circuit Selector Switch

Compliances: FAA AC 150/5345-5: L-847
Unified Facilities Criteria UFC 3-535-01



Applications

The CSC Circuit Selector Switch is connected to the output of a single constant current regulator and switches that output to one or more airfield lighting series circuits. Common applications include circuits for PAPIs, stopbars, and taxiway centerlines. The CSC can also be used as the interface between a standby backup regulator and several operating regulators.

Features

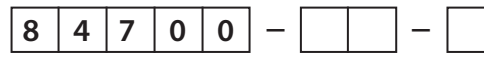


- ETL Certified (6.6 Amp circuits only)
- Simultaneous or Exclusive Switching
- For 6.6 or 20 Amp circuits
- Locally and Remotely Controllable
- Units may be interconnected to serve any number of circuits with a single regulator
- Clear Dead-Front Cover for high-voltage compartment with interlock switch
- Wall or Conduit Mounting
- Deenergized Switching to protect regulator circuitry
- Ambient Temperature Range -40° to +55°C

Ordering Information

How to Order: To the basic catalog number, add the number of series circuits to be switched and options from the chart below.

Example: An 84700-2-3-5 is a two-circuit selector switch for use with 48 VDC remote control. It features a relay for on/off remote back indication.



Basic Number: _____

Number of Series Circuits: _____

Options: _____

Refer to the chart below

Selection Chart

Standard Features & Options

Select one standard feature or option within each group. If the total number of options selected exceeds two (2), consult Cooper Crouse-Hinds for determination of compatibility.

GROUP A: INPUT VOLTAGE

| | |
|------------------|---------------------|
| Standard Feature | 120 V, 50/60 Hz |
| Option -2 | 220-240 V, 50/60 Hz |
| Option- 15 | 480 V, 50/60 Hz |

GROUP B: CONTROL VOLTAGE

| | |
|------------------|-------------------------|
| Standard Feature | 120 V (Internal Source) |
| Option -3 | 48 VDC (Remote Source) |
| Option -4 | 120 V (Remote Source) |
| Option -11 | 24 VDC (Remote Source) |

GROUP C: STATUS INDICATION

| | |
|------------------|--------------------------------------|
| Standard Feature | No Status Indication |
| Option -5 | On/Off 6.6 A Circuit Current Monitor |
| Option -6 | On/Off 20 A Circuit Current Monitor |

GROUP D: CIRCUIT SELECTION

| | |
|------------------|--|
| Standard Feature | Simultaneous: Any combination |
| Option -8 | Exclusive: One circuit at a time |
| Option -9 | Spare Regulator Switching: Prevents Interconnection of the two CCRs (2-circuit only) |

GROUP E: CABINET TYPE

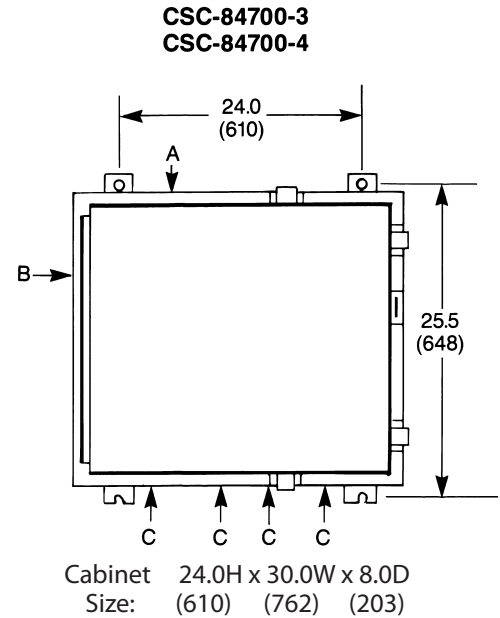
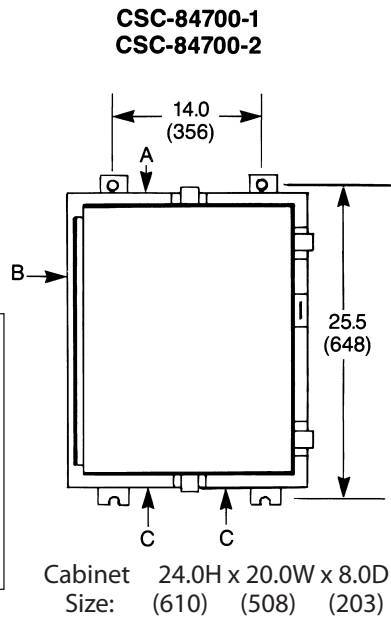
| | |
|------------------|--|
| Standard Feature | NEMA 1—Indoor (Painted) |
| Option -10 | NEMA 4—Indoor/Outdoor (Painted) |
| Option -13 | NEMA 4X—Indoor/Outdoor (Stainless Steel) |
| Option -12 | Cabinet Door Interlock Switch |
| Option - 14 | Without Cabinet |

Outline Drawings

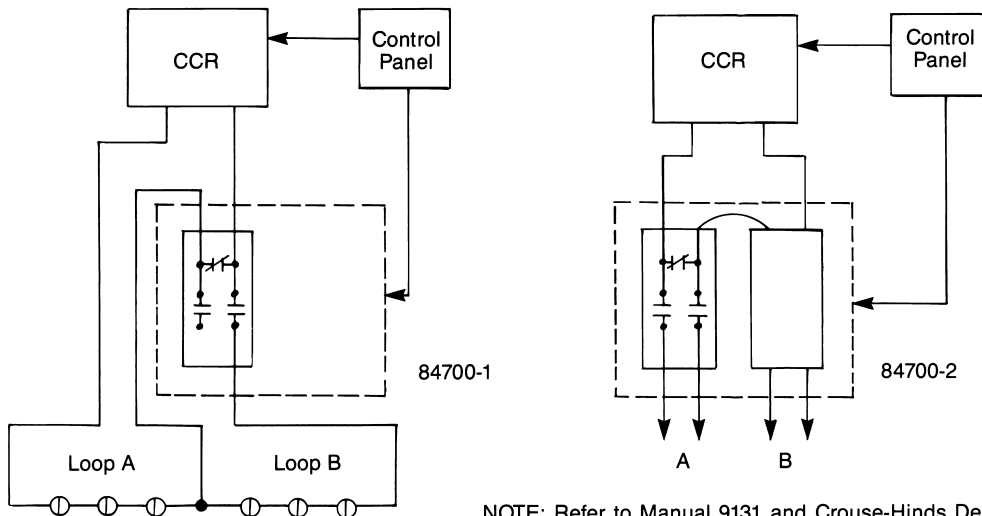
Suggested Conduit Entrances

A = Control Power
B = Regulator
C = Series Circuit

| | |
|----------------------------|---|
| Dimensions: | inches (mm) |
| Instruction Manual: | 9131 |
| Shipping Weight: | -1 -2 70.0 lbs. 31.8 kg. |
| | -3 -4 95.0 lbs. 43.2 kg. |
| Shipping Volume: | 3.4 cu. ft. 5.0 cu. ft. .096 cu. m. .142 cu. m. |



Wiring Diagrams



NOTE: Refer to Manual 9131 and Crouse-Hinds Design Guide for additional wiring configurations.

Renewal Parts

| Part Number | Description | Part Number | Description |
|-------------|---|-------------|---|
| 34197 | Relay K1 SPNC | 31955-6 | Timing Circuit Board (84700-1 or 2, w/Option 3) |
| 34196* | Relay Module K2 DPNO | 31955-7 | Timing Circuit Board (84700-3 or 4, w/Option 3) |
| 34195* | Relay Interface Assembly | 31978-1 | Current Sensing Circuit Board (84700-1 or 3 w/Option 5) |
| 32849* | Relay Interface Harness | 31978-2 | Current Sensing Circuit Board (84700-2 or 4 w/Option 5) |
| 30848-1 | K1 and K2 Relay Module Assembly | 10047-1444 | Control Transformer 220/120 (84700 w/Option 2) |
| 31955-1 | Timing Circuit Board (84700-1 or 2) | 10047-1590 | Fuse 2.0 Amp (84700-1 or 2) |
| 31955-2 | Timing Circuit Board (84700-3 or 4) | 10047-1591 | Fuse 3.0 Amp (84700-3 or 4) |
| 31955-3 | Timing Circuit Board (84700-1 or 2, w/Option 8) | | |
| 31955-4 | Timing Circuit Board (84700-3 or 4, w/Option 8) | | |

* These items must be ordered together

