



# Cabinet - Switchgear



**C-SGS**

**Compliance: UL 891**

## Applications

The Crouse-Hinds Switchgear System (SGS) utilizes a UL compliant bus for the distribution of electrical power and the precision control of airfield lighting circuits. The equipment meets all applicable UL and NEMA standards, integrates enhanced safety features, provides for cost-effective installation and serviceability, is air-cooled and designed for indoor installations.

## Features

- Complies with UL891, standard for dead-front switchboard
- NEMA1 cabinet
- Seismic zone 4 rated system
- 65,000 AIC bus bracing
- 800 Amp copper main horizontal bus with deadfront
- 300 Amp copper ground bus
- Field changeable (CCR-SGS) load balancing
- Modular design for easy add-on field installations
- Rated for 480 VAC
- Two regulators (CCR-SGS) per cabinet

## Ordering Information

8 2 8 S Y S

Combinations  
(Specify installation line up left to right):

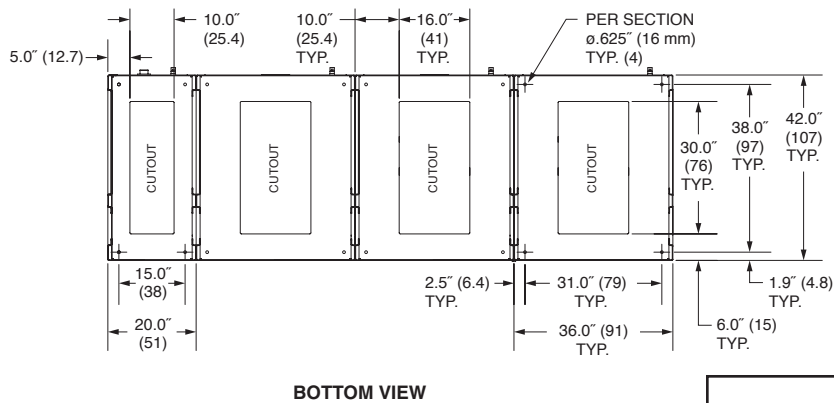
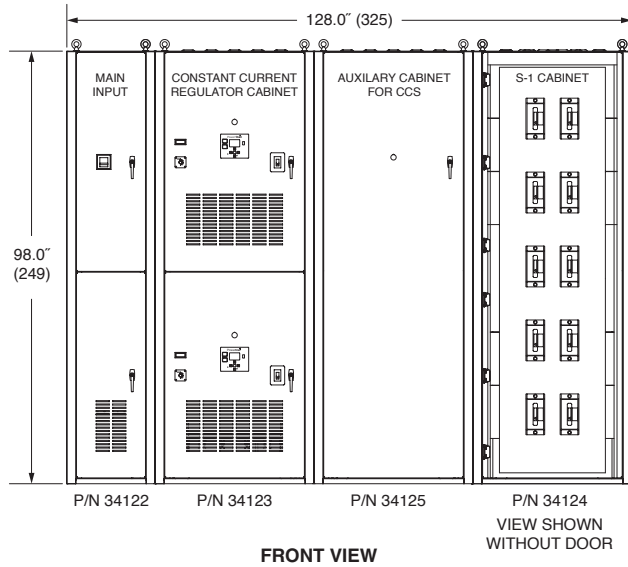
**Airport Code:** \_\_\_\_\_

**Project Number:** \_\_\_\_\_

**Maximum Bus Bar System Capacity:**  
280 kW (at 480V, Input Voltage)

CCR-SGS	Power Requirements Data	
	480 V, Input	
	CCR (Rated Current)	
04 kW	9 A	
7.5 kW	17 A	
10 kW	23 A	
15 kW	34 A	
20 kW	46 A	
30 kW	69A	

## Outline Drawing



Inches  
(cm)

**Dimensions:** inches  
(mm)

**Instruction Manual:** 2516

**Shipping Weight:** Main Input Cabinet - 700 lbs  
Auxiliary Cabinet - 700 lbs  
Constant Current Regulator Cabinet - 1200 lbs

## Renewal Parts

Part Number	Item Description
34122	Main input cabinet & circuit breaker
34192	Constant Current Regulator Cabinet (2 power modules)
34124	S1 Cabinet
34125	Auxiliary Cabinet
34126	Upper Track Extension
34127	Lower Track Extension

