



## Airport Rotating Beacon



**ARB**

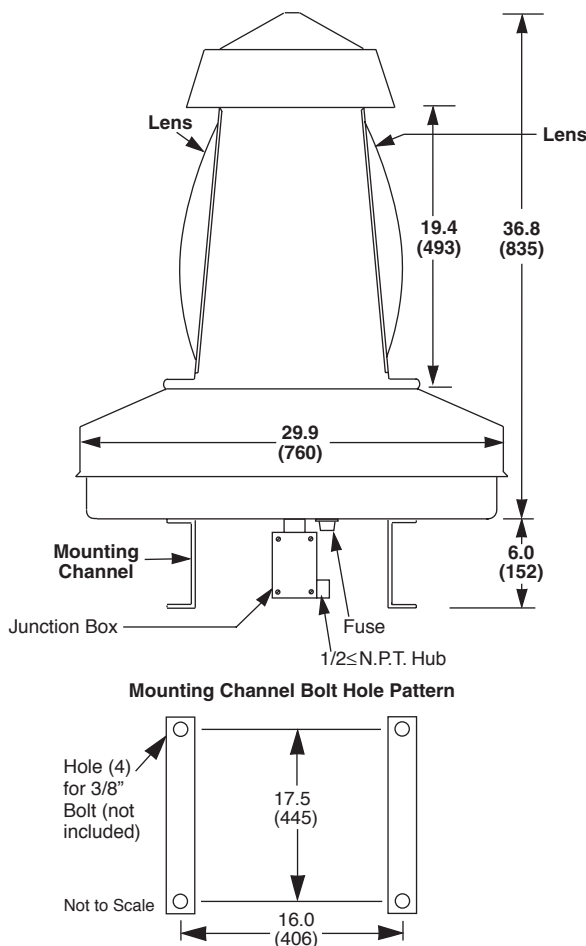
**Compliances:** FAA AC 150/5345-12: L-801 & L-802  
ICAO Annex 14  
TRANSPORT CANADA K312

### Features

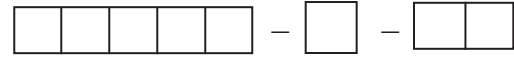


- ETL Certified
- FAA Approved: L-801 400W  
L-802 1000W
- Metal Halide Lamp (included):  
400W for medium intensity beacons  
1000W for high intensity beacons
- Long Lamp Life
- No Lamp Changer
- Simple Design with few moving parts
- Light weight for easy handling

### Outline Drawing



### Ordering Information



#### Fixture Type:

- 801 = L-801 Medium Intensity
- 802 = L-802 High Intensity

#### Application\*\*:

- A = Airport: White/Green
- S = Seaplane: White/Yellow
- H = Heliport: White/Green/Yellow

#### Class:

- 1 = -35°C
- 2 = -55°C\*

#### Power:

- 1 = 120V, 60Hz
- 2 = 220V, 50Hz

#### Options:

- BC = Low-Angle Beam Cutoff 2°
- TR = Tell-Tale Relay with 250W Quartz Lamp
- WW = Two White Lenses
- WWG = Two White Lenses and One Green Lens\*\*\*

- \* All Class 2 ARB's require the TR option
- \*\* Standard Application – Options Available
- \*\*\* Not intended for military use, reference UFC 3-535-01

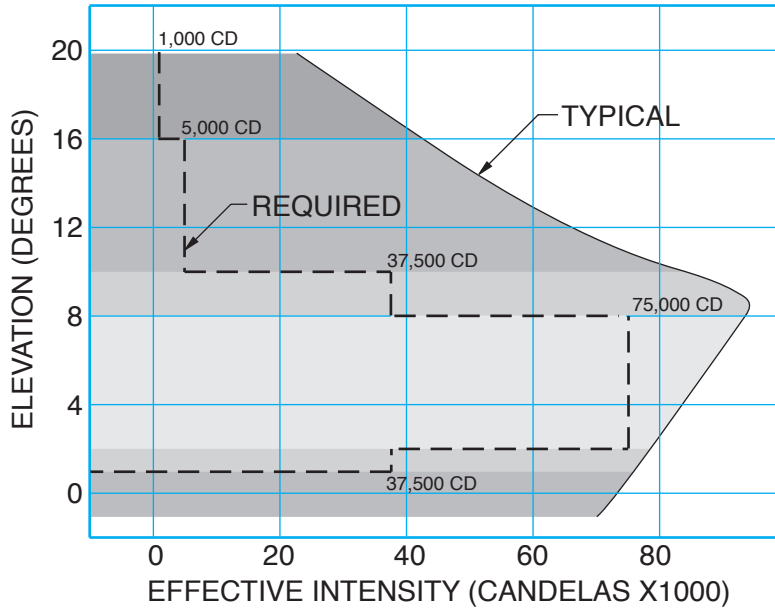
### Renewal Parts

Part Number	Description
10047-1802	Lamp, 400W Metal Halide (801XX)
10047-2795	Lamp, 1000W Metal Halide (802XX)
10047-2293	Tell-Tale Lamp, 250W Quartz (Option TR)
65020-1	Clear Lens (1000W ARB)
65020-2	Green Lens
65020-4	Clear Lens (400W ARB)
65045	Relay Assembly, TR option
65020-3	Yellow Lens
65018	Gearing Assembly
65057	Motor Assembly
65058-1	Ballast Assembly, 1000W, 120V, 60Hz
65058-2	Ballast Assembly, 1000W, 220V, 50Hz
65058-3	Ballast Assembly, 400W, 120V, 60Hz
65058-4	Ballast Assembly, 400W, 220V, 50Hz
10047-2344	Fuse, F1

<b>Dimensions:</b>	inches (mm)	<b>Shipping Weight:</b>	243 Lbs. 110 kg.
<b>Instruction Manual:</b>	9218 (802XX) 9301 (801XX)	<b>Shipping Volume:</b>	47.5 cu.ft. 1.345 cu.m.

## Photometric Data

ELEVATION vs EFFECTIVE INTENSITY  
L-802A/S, 1000W, 2 LENS BEACON, WHITE LENS



**Notes:**

1. Beacon Rotates:
  - 12 RPM @ 60Hz
  - 10 RPM @ 50Hz
2. Flash Rate: (L-801H)
  - 36 Flashes/min @ 60Hz
  - 30 Flashes/min @ 50Hz
3. Flash Rate: (L-802 A/S)
  - 24 Flashes/min @ 60Hz
  - 20 Flashes/min @ 50Hz

ELEVATION vs EFFECTIVE INTENSITY  
L-801H, 400W, 3 LENS BEACON, WHITE LENS

