

# AGSF

## Airside™ Guidance Sign Fiberglass



**AGSF**

**Compliances:** FAA AC 150/5345-44: L-858  
Unified Facilities Criteria UFC 3-535-01

### Applications

AGSF Signs are designed for use on airport runways to mark taxi routes and taxiways/runways intersections. Colors may be black on yellow, yellow on black, or white on red depending on the application as defined by the governing standards such as FAA AC 150/5340-18.

### Features

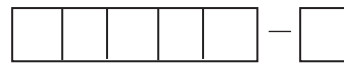


- ETL Certified
- FAA Approved as Size 3, Class 1 sign
- Sign meets FAA style 5 requirements
- Stainless steel tethers
- Power factor greater than 85% across all brightness steps
- Uses fluorescent long life lamp
- Internally illuminated
- Lamps commercially available
- Externally mounted Ballast Assembly for easy maintenance
- External power disconnect switch allows safe maintenance by isolating sign from series circuit
- Lamp bypass circuit for Ballast protection
- Reinforced fiberglass housing
- Hinged sign face for easy relamping
- No tools needed to replace Lamps
- Electrical connection fits baseplate with 2" hub

### Ordering Information

**How to Order:** List the basic catalog number for single or double faced sign and add suffixes for sign length. Order isolation transformer, transformer housing, coverplate and gasket or baseplate separately.

The colors of the sign faces and the legends must be specified for each sign. Multiple messages and colors may appear on a single seamless sign face.



**Basic Catalog Number:**  
60915 (Single Face)  
62055 (Double Face)

**Sign Length:**  
4 = 4 Feet, FAA Size 3 (42" high) sign.  
6 = 6 Feet, FAA Size 3 (42" high) sign.  
8 = 8 Feet, FAA Size 3 (42" high) sign.  
10 = 10 Feet, FAA Size 3 (42" high) sign.  
12 = 12 Feet, FAA Size 3 (42" high) sign.  
D = 4 Foot, FAA Size 5 (42" high) Distance Marker (25" high numerals).

## Technical Data

Instruction Manual: 9424

### Airside™ Guidance Signs - Fiberglass (AGSF)

#### Measured Load (VA) & Power Factor (PF)

Sign Catalog Number	Isolation Transformer	VA	PF
60915-4	100 Watts	54	.85
60915-6	100 Watts	66	.87
60915-8	200 Watts	130	.85
60915-10	200 Watts	130	.85
60915-12	200 Watts	163	.88
62055-4	100 Watts	79	.87
62055-6	200 Watts	163	.88
62055-8	200 Watts	163	.88
62055-10	200 Watts	163	.88
62055-12	300 Watts	221	.85

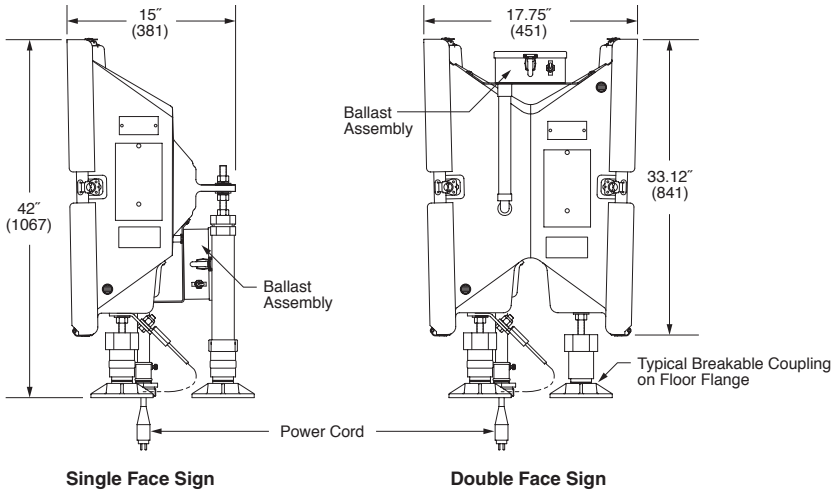
#### Lamp Cross-Reference Table

Reference Sign Catalog Number	Number of Lamps Per Sign	Crouse-Hinds Lamp Part Number	Standard Fluorescent Lamp	Lamp Wattage
60915-4	1	10047-2523	F24T12/D/HO	35 Watts
60915-6	1	10047-2524	F36T12/SGN/HO	45 Watts
60915-8	2	10047-2523	F24T12/D/HO	35 Watts
60915-10	2	10047-2524	F36T12/SGN/HO	45 Watts
60915-12	2	10047-2524	F36T12/SGN/HO	45 Watts
62055-4	1	10047-1573	F36T12/CW/HO	45 Watts
62055-6	2	10047-2524	F36T12/SGN/HO	45 Watts
62055-8	2	10047-1573	F36T12/CW/HO	45 Watts
62055-10	2	10047-1573	F36T12/CW/HO	45 Watts
62055-12	3	10047-1573	F36T12/CW/HO	45 Watts

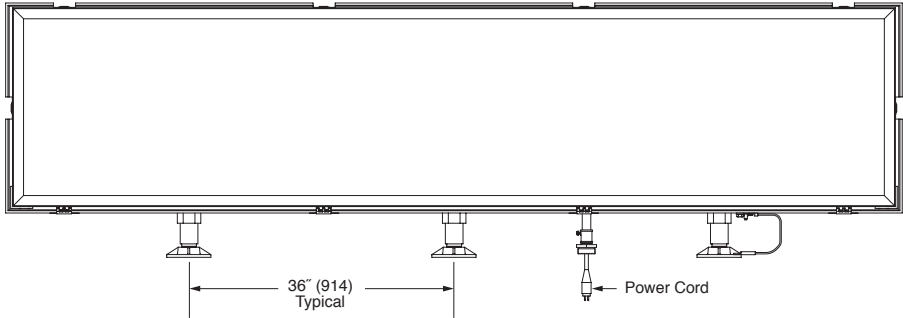


**Dimensional Information**

**Dimensions:** inches (mm)

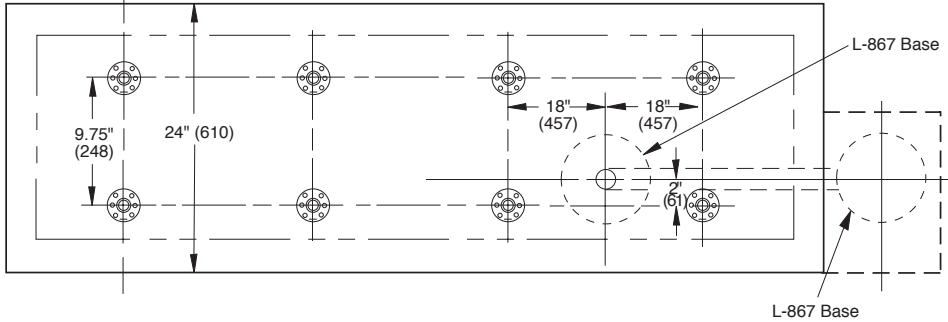


**Typical Side View Outlines for 4, 6, 8, 10 and 12 Feet Signs**



**Front View Outline**

Shown with 8 legs on 12 feet sign

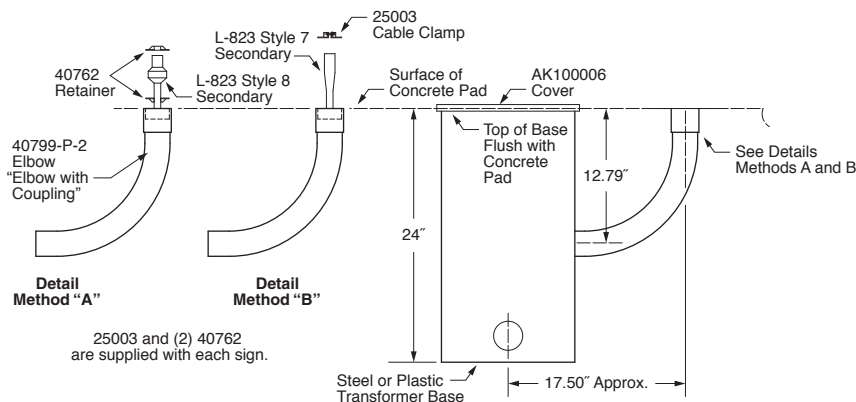


**Foot Print Information**

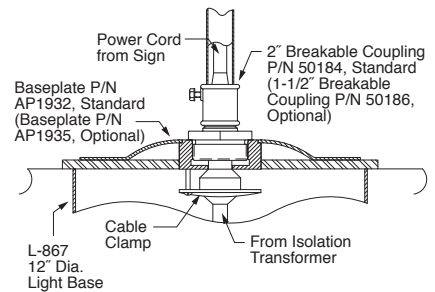
- 4 Legs Layout (from right to left) for 4 and 6 feet signs.
- 6 Legs Layout (from right to left) for 8 and 10 feet signs.
- 8 Legs Layout (from right to left) for 12 feet signs.

## Installation Details

### Elbow Mounting Detail



### Base Mounting Power Feed Detail



## Accessories

Part Number	Description	Shipping Weight		Shipping Volume	
		Lbs.	Kg.	Cu.Ft.	Cu.M.
33004	Isolation Transformer 100 watts, 6.6/6.6A	12.0	5.4	0.4	0.011
33006	Isolation Transformer 200 watts, 6.6/6.6A	16.0	7.3	0.4	0.011
33010	Isolation Transformer 300 watts, 6.6/6.6A	23.0	10.4	0.6	0.017
AP1932	Baseplate, 2 inch Hub	8.0	3.6	0.14	0.004
AC21242H200301	Base L-867, Class 1, 24 inches deep	52.0	23.6	2.6	0.074
AK100006	Blank Coverplate, 0.375 inches thick	5.0	2.3	0.13	0.004
10530287	Gasket for Coverplate				
823KP-D4-D4	Primary L-823 Connector Kit				
CAS1M-PR-B-2	Secondary Cable Assembly, 2 meters*				

\* Other lengths available.

## Renewal Parts

Part Number	Description
25684-1	Floor Flange
61062	Frangible Coupling: For Single Face Signs
61066	Frangible Coupling: For Double Face Signs
50184	Frangible Coupling: For Power Feed
50186	Frangible Coupling: For Power Feed, Optional
61106	Ballast (One Per Lamp)
10047-2523	Fluorescent Lamp, 24"*
10047-2524	Fluorescent Lamp, 36"*
10047-1573	Fluorescent Lamp, 36"*
60984	Tether
60992-X-L	Sign Face & Frame Assembly**
61093-X	Sign Face Assembly**

\* Refer to Lamp cross-reference table on page 5.11.

\*\* Insert 4, 6, 8, 10, or 12 in place of "X" to indicate sign length (feet).

## Shipping Weights and Volumes

Sign Cat. Number	Shipping Weight		Shipping Volume	
	Lbs.	Kg.	Cu. Ft.	Cu. M.
60915-4 or D	115	52	20	0.57
60915-6	140	64	30	0.85
60915-8	210	95	45	1.27
60915-10	235	107	55	1.56
60915-12	310	141	65	1.84
62055-4 or D	155	70	25	0.71
62055-6	205	93	35	0.99
62055-8	290	132	50	1.42
62055-10	370	168	60	1.70
62055-12	440	200	75	2.12

